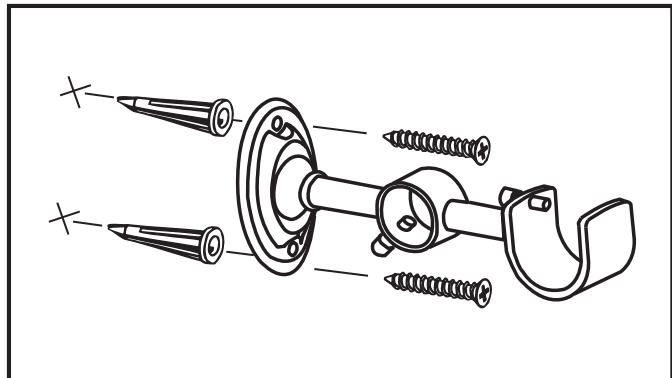


Estimated Assembly Time

Approximately 30 minutes

Bracket Installation

1. Using bracket as a guide, adjust to desired height and mark location on wall for mounting screws. (Wall anchors may not be necessary for all applications.)
2. Remove bracket from wall. Drill pilot holes into wall with 3/16" drill bit. Insert wall anchors.
3. Attach bracket to wall using screws provided.
4. Repeat steps 1 to 3 for additional brackets. Use level if necessary.
5. Adjust to desired distance from wall and tighten bracket screw. Repeat step for additional brackets.



Sheer Rod Installation

1. Remove all end caps.
2. (Do not extend telescopic rod.) Feed half of curtain panels onto rod and insert rod into center bracket.
3. Insert outside end of rod into outside bracket. Replace end cap to hold rod in place.
4. Extend telescopic rod and feed remaining half of curtain panels onto rod.
5. Fully extend rod through remaining outside bracket and screw on remaining end cap.
6. Tighten set screws to lock rod in place.

